

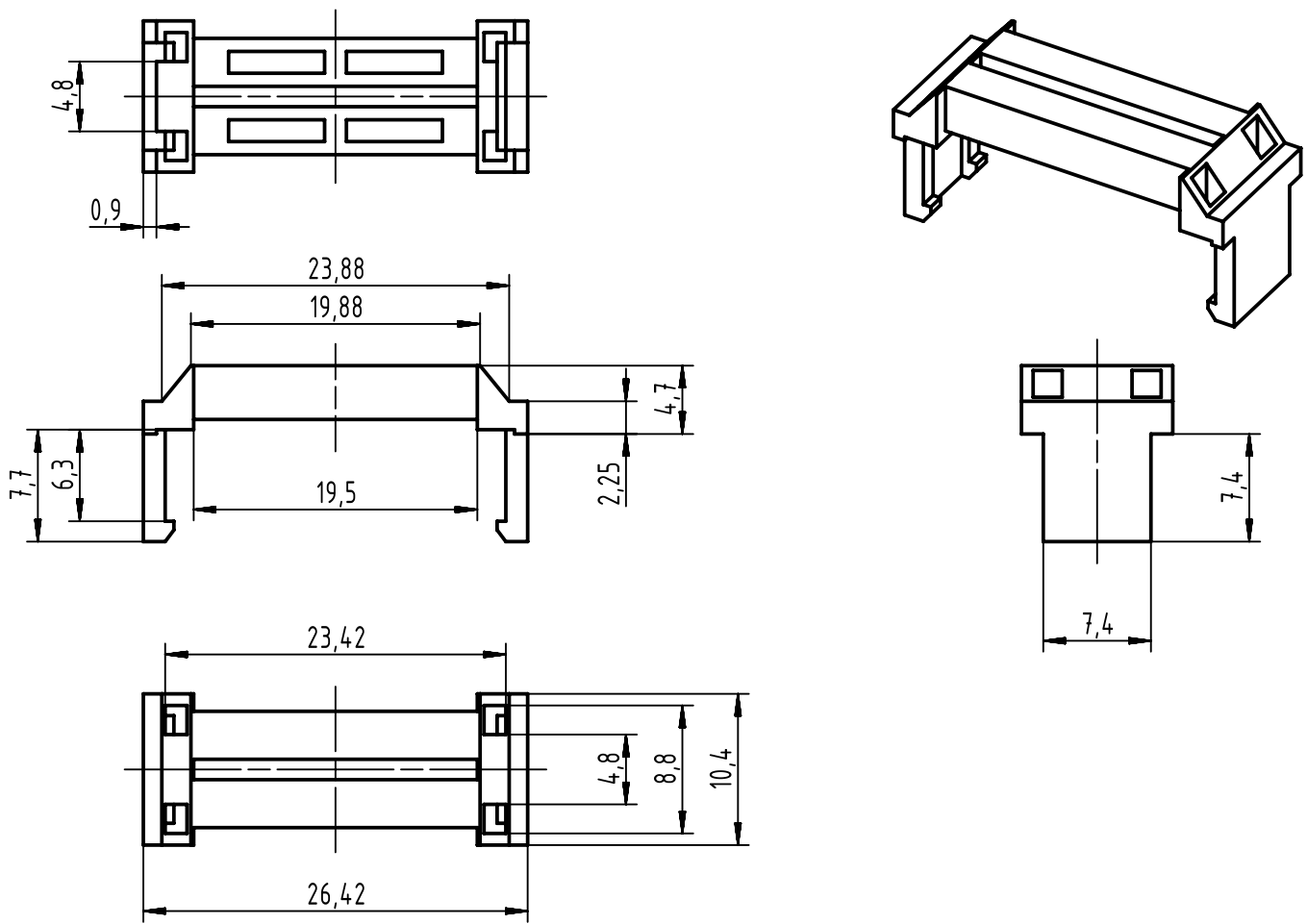
1 2 3 4 5 6


A

B

C

D



	All rights reserved Department EC PD - CN	All Dimensions in mm Original Size DIN A4		Scale 2:1	Free size tol.		Ref.	
		HARTING Electronics GmbH D-32339 Espelkamp		Created by ZENG D	Inspected by LUOK	Standardisation HOFFMANN	Date 2016-05-10	State Final Release
Title Strain relief for D-Sub IDC 15-pole							Doc-Key / ECM-Nr. 100580002/UGD/000/B 500000104176	
Type TB				Number 09662080001			Rev. B	Page 1/1